



EPSILON



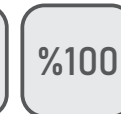
Non-corrosive



Long-lasting



Waterproof



Virgin Material





BATUM STADIUM / GEORGIA

# Seatium

As of today, Seatium has been exporting plastic furnitures and stadium seats to 62 countries that is produced in its integrated plants built on area of 50.000 sqr meters in south of Turkey. Market share of seatium has been going up every year thanks to stock rates, fast production capability and variety of models that is developed consistently every year.



SKILIP STADIUM / TURKEY



TIZIOUZOU STADIUM / ALGERIA



BATUM STADIUM / GEORGIA



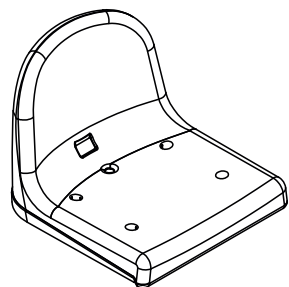
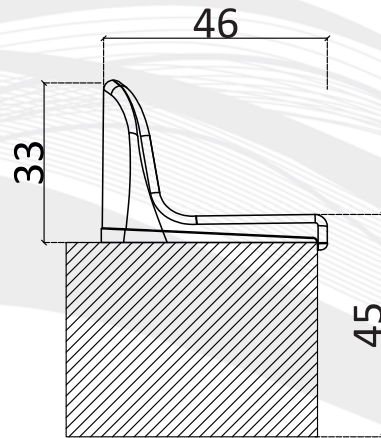
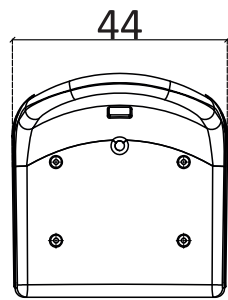
BATUM STADIUM / GEORGIA



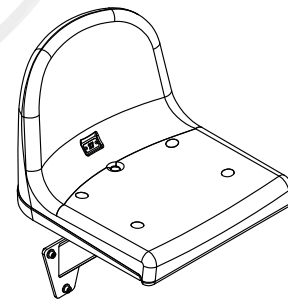
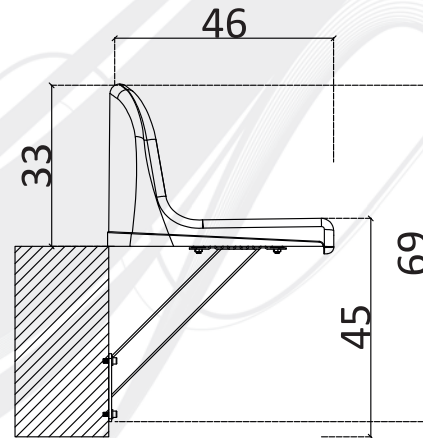
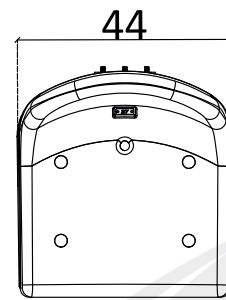
# EPSILON



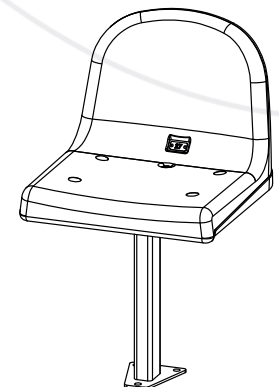
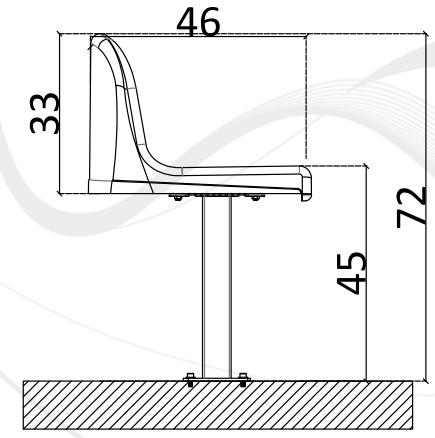
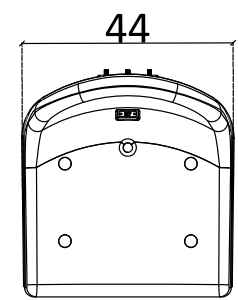
STANDARD-100



RISER MOUNTED-101



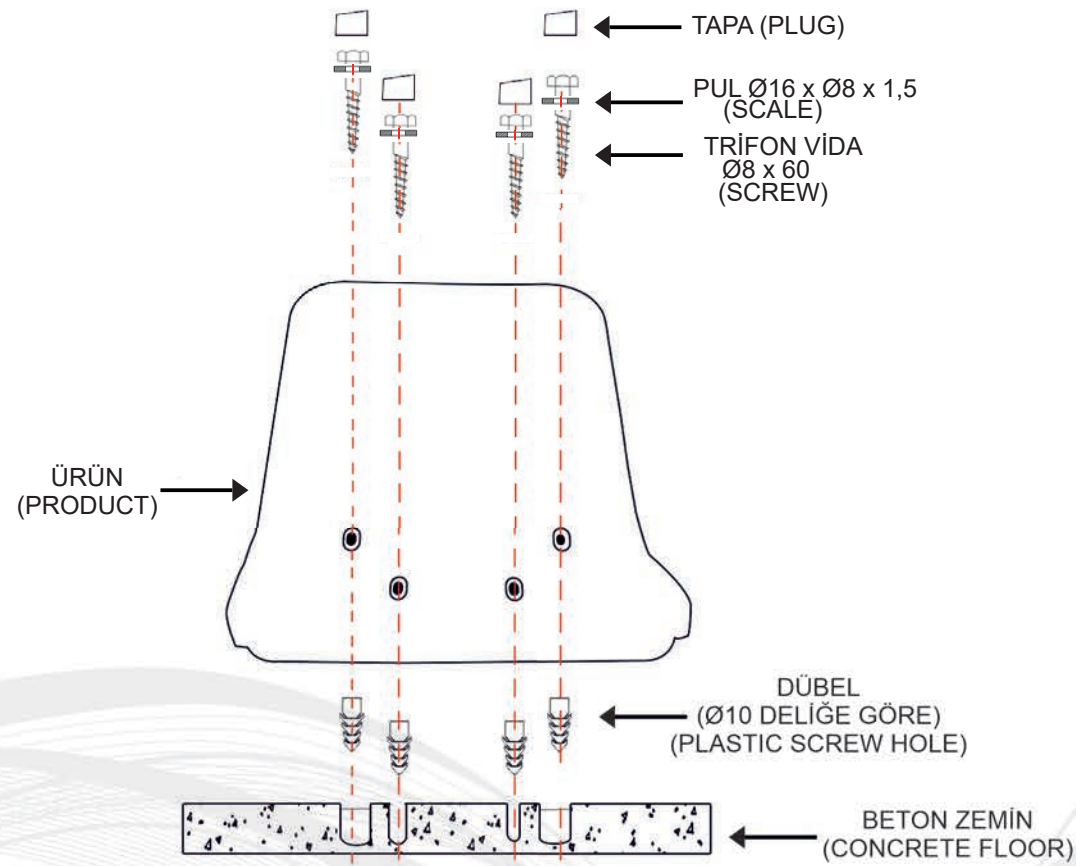
FLOOR MOUNTED-201



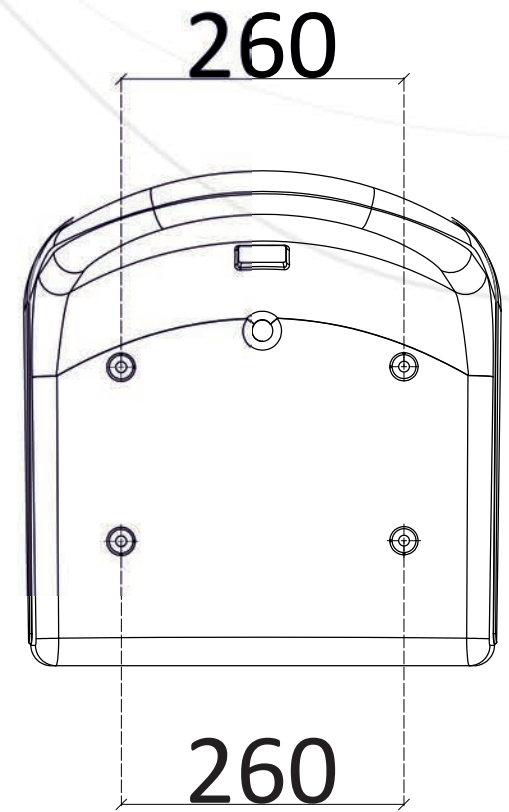
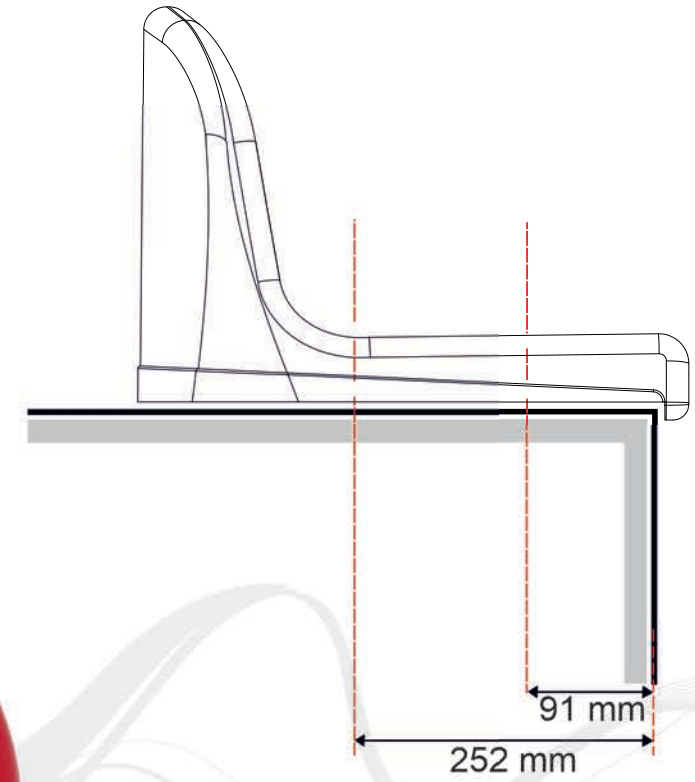
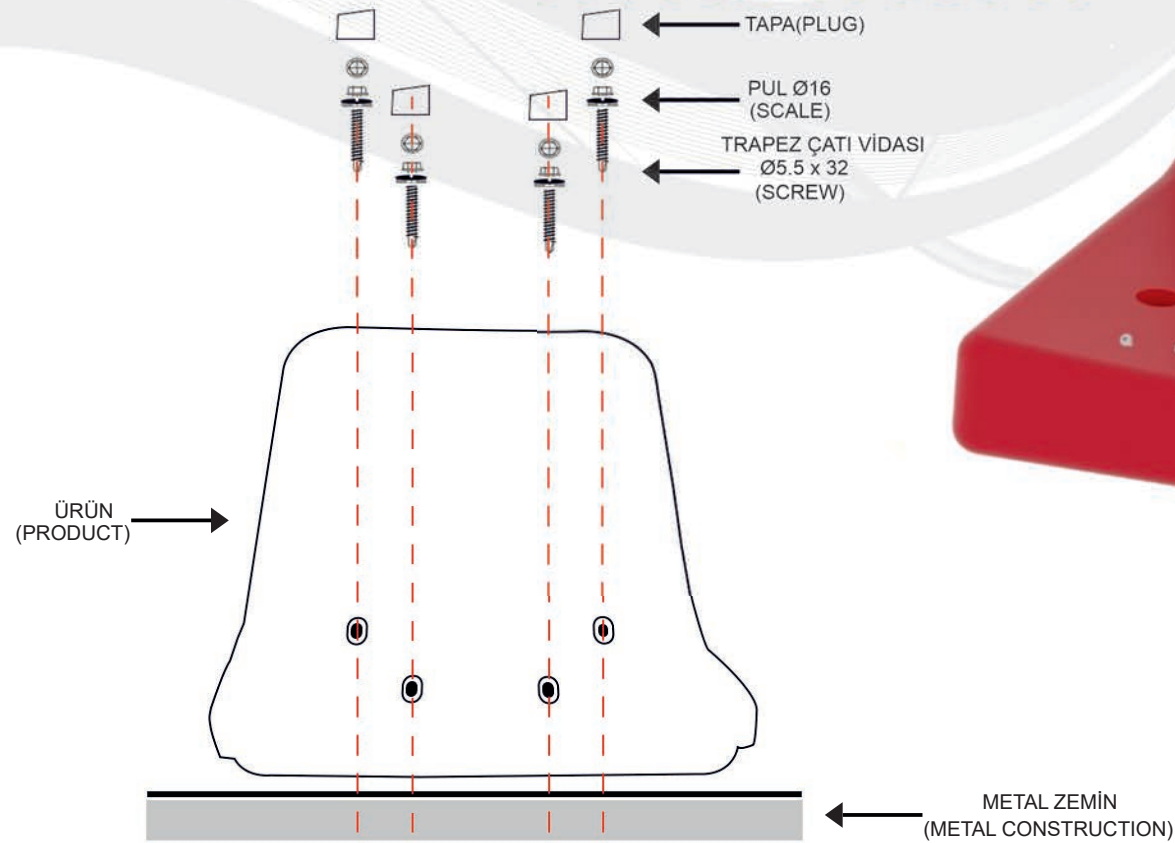
\*All dimensions are centimeters.

# EPSILON ASSEMBLY SCHEME

Assembly Scheme(Concrete Surface)



Assembly Scheme(Metal Surface)

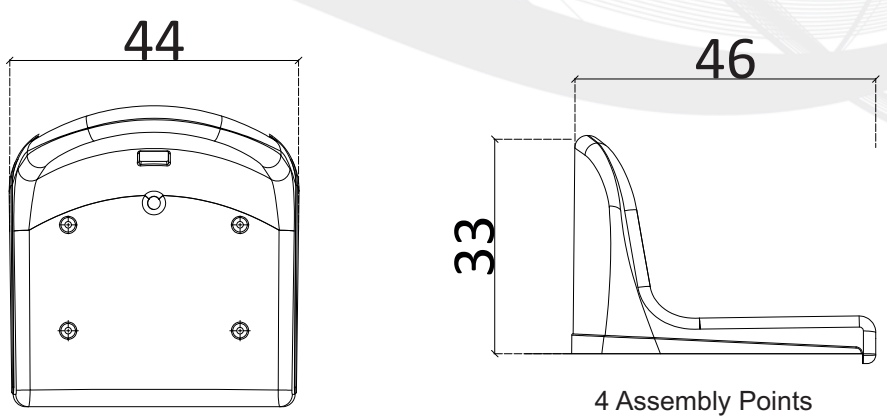




# EPSILON TECHNICAL DATASHEET

- ⚡ Seat is moulded by injection in virgin high quality copolymer polypropylene.
- ⚡ Backrest is strengthened with double wall to prevent to be broken with vandalism.
- ⚡ UV and Antioxidant additives are used in color masterbatch with highest light-fastness color pigments to prevent color fade. ( Light Resistance - EN ISO 4892-2)
- ⚡ Orthopedic seating feature, which is comfortable for both the back and legs.
- ⚡ There is a central drainage point which enables water go through.
- ⚡ Shiny surface prevent dirt from accumulating inside the seats. Easy to clean.
- ⚡ FR(fire retardent) additive is used to delay inflaming as required. Classified as UL94 V2 standard.
- ⚡ Front design does not allow the seat to be pulled off.
- ⚡ Seat is fixed onto the floor with 2 bolts after opening holes and placing dowels. The base and anchoring points of the seat are strengthened with additional ribs. Plastic caps placed on seat prevent water leaking inside the bolts.

Our products have TS EN 12727 & TSE EN 13200-4 certificates and our company has ISO 9001:2015 Quality Management System.



package quantity	package dimension	40" container	90m <sup>3</sup> truck
12 Pieces	43.5x46x114 cm	4860 Pieces	5500 Pieces



**Adress:** Basp nar OSB Mah. 5. Bolge 83528 Nolu Cad. No:4/1 Seh tkam I 27620 GAZIANTEP TURKEY

**Mail:** [export@seatium.com](mailto:export@seatium.com)

**Phone:** +90 542 117 52 04 (WhatsApp, Viber, Telegram)

**seatium.com**