

Seatium



SIGMA

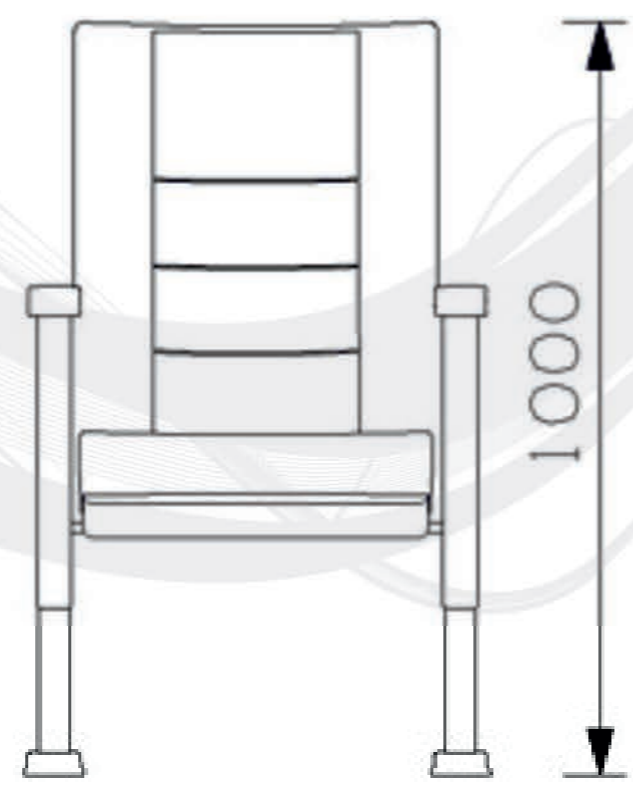


SIGMA

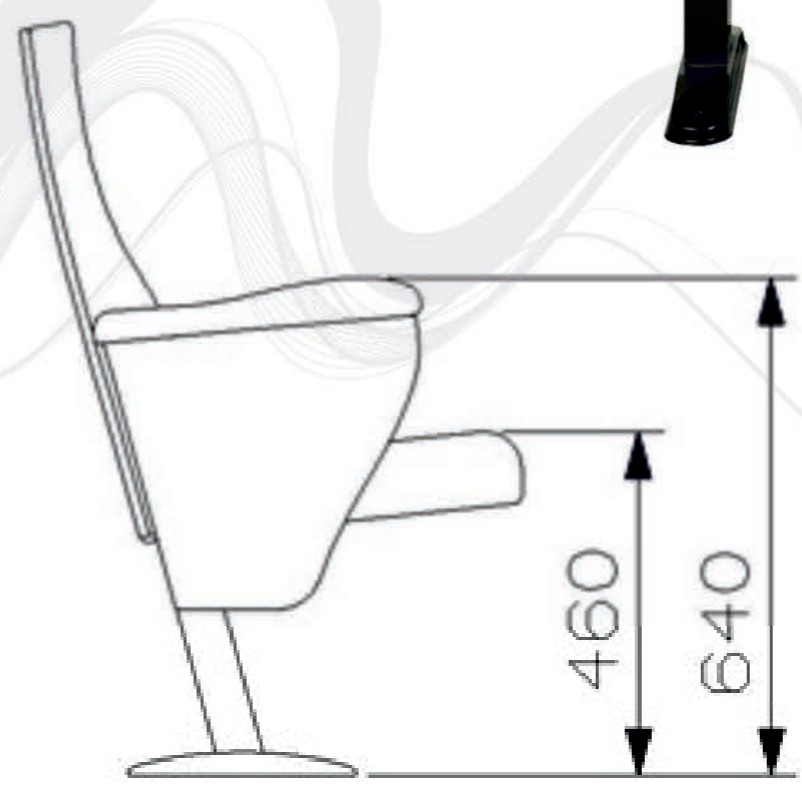


540

650



1000



460

640

SIGMA TECHNICAL DATASHEET

Seat and Backrest Units

Seating and back units of the seats are manufactured from polyurethane material in aluminum molds designed in accordance with human anatomy, in compliance with 50 + - 10% density and Mvss 302 fire standards.

Inside the seat and back pads, there is durable steel frame.

Tip up mechanism works with gravity without any springs.

Legs and Armrest Units

The side legs are manufactured from 40 x 60 x 1.5 mm steel tubes, and the parts fixed on floor are made of sheet steel thickness 2 mm.

Underneath the plastic armrests are upholstered with laminated on MDF plate.

Wooden armrests made of Beech wood are mounted on arms.

Seats share common arms in between.

Seats are fixed to the floor on two points for each leg.

Fabric or Vinyl

Vinyl used for upholstery is resistant to friction, fire and UV. Weight: 540 gr/m².

Seats and back units of the seats are manufactured with vinyl upholstered with specified specifications. Durable plastic cover with is mounted on backside of the backrest units.

Our products have TS EN 12727 & TSE EN 13200-4 certificates and our company has ISO 9001:2015 Quality Management System.

Seat design is protected by Utility Model Registration and Petty Patent.



Adress: Basp nar OSB Mah. 5. Bolge 83528 Nolu Cad. No:4/1 Seh tkam I
27620 GAZIANTEP TURKEY

Mail: export@seatium.com

Phone: +90 542 117 52 04 (WhatsApp, Viber, Telegram)

seatium.com